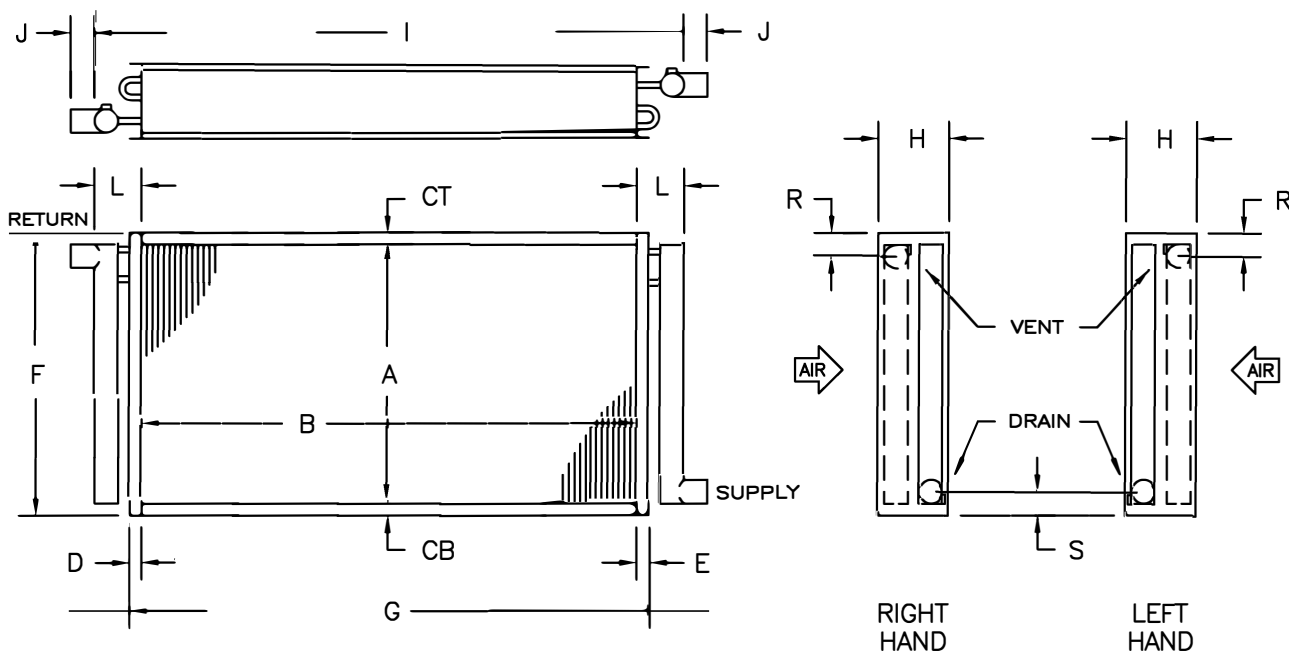


**NORTEK™**  
COIL SOLUTIONS



ROWS: 3, 4, 5, 6 8, 10, 12	FINS: 1/2 - 8 thru 14 5/8 - 6 thru 14
----------------------------------	---

TUBE WALL		FINS		CASING
1/2 OD	5/8 OD	1/2 OD	5/8 OD	
.017	.020	.006AL	.008AL	16ga GV
.025	.025		.010AL	
	.035	.006CU	.006CU	16ga SS
	.049		.008CU	
			.010CU	

HEADERS & TUBES - COPPER ONLY

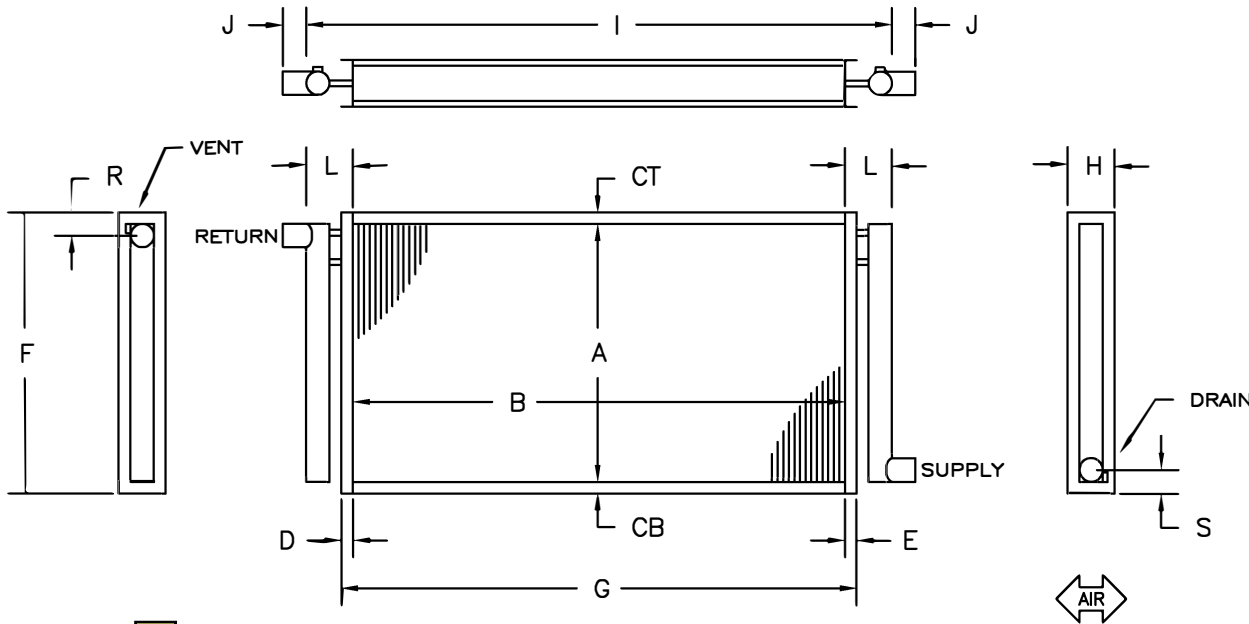
ITEM	SUPPLY	RETURN	CONNECTIONS	
1			RED BRASS	COPPER
2			MPT	MPT
3				FPT
4				SWT

DIMENSIONAL DATA IN INCHES

	QTY	ROWS	FPI	A	B	CT	CB	D	E	F	G	H	I	J	L	S	R
1																	
2																	
3																	
4																	

MODEL NO.				CUST.				TAG:					
1				REP.				PURCHASE ORDER NO.					
2				APP	PRINTS	DATE		SHOP ORDER NO.					
3				FOR APPROVAL		DRAWING NO.			<b>WATER COIL</b>				
4				FOR RECORD		WC5-							

**NORTEK**<sup>TM</sup>  
COIL SOLUTIONS



ROWS: 1, 2 ONLY	FINS: 1/2 - 8 thru 14 5/8 - 6 thru 14
--------------------	---

TUBE WALL		FINS		CASING
1/2 OD	5/8 OD	1/2 OD	5/8 OD	
.017	.020	.006AL	.008AL	16ga GV
.025	.025		.010AL	
	.035	.006CU	.006CU	16ga SS
	.049		.008CU	
			.010CU	

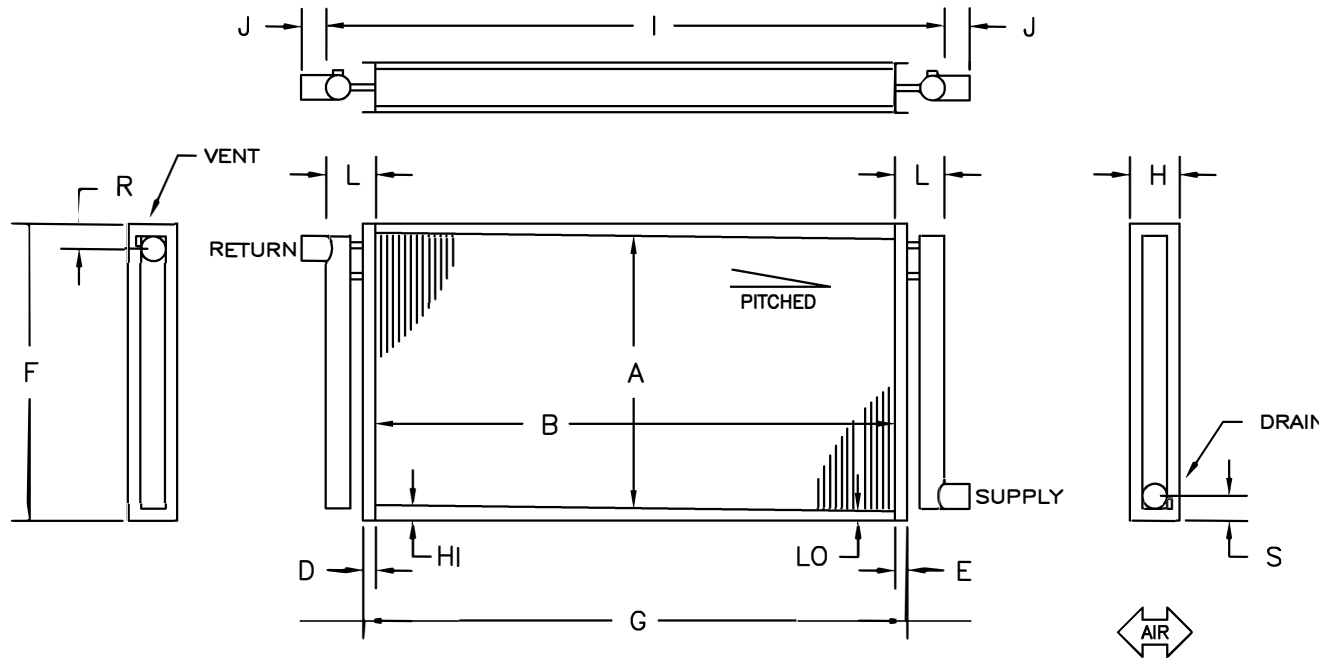
HEADERS & TUBES - COPPER ONLY

ITEM	SUPPLY	RETURN	CONNECTIONS	
1			RED BRASS	COPPER
2			MPT	MPT
3				FPT
4				SWT

DIMENSIONAL DATA IN INCHES

	QTY	ROWS	FPI	A	B	CT	CB	D	E	F	G	H	I	J	L	S	R
1																	
2																	
3																	
4																	

MODEL NO.				CUST.				TAG:			
1				REP.				PURCHASE ORDER NO.			
2				APP	PRINTS	DATE		SHOP ORDER NO.			
3				FOR APPROVAL		DRAWING NO.		<b>WATER COIL</b>			
4				FOR RECORD		WC6-					



ROWS: 1, 2 ONLY	FINS: 1/2 - 8 thru 14 5/8 - 6 thru 14
--------------------	---

TUBE WALL		FINS		CASING
1/2 OD	5/8 OD	1/2 OD	5/8 OD	
.017	.020	.006AL	.008AL	16ga GV
.025	.025	.006CU	.010AL	
	.035	.006CU	.006CU	16ga SS
	.049		.008CU .010CU	

HEADERS & TUBES - COPPER ONLY				
ITEM	SUPPLY	RETURN	CONNECTIONS	
1			RED BRASS	COPPER
2			MPT	MPT
3				FPT
4				SWT

DIMENSIONAL DATA IN INCHES

	QTY	ROWS	FPI	A	B	HI	LO	D	E	F	G	H	I	J	L	S	R
1																	
2																	
3																	
4																	

MODEL NO.				CUST.				TAG:			
1				REP.				PURCHASE ORDER NO.			
2				APP	PRINTS	DATE		SHOP ORDER NO.			
3				FOR APPROVAL		DRAWING NO.		WATER COIL			
4				FOR RECORD		WC6-P-					