



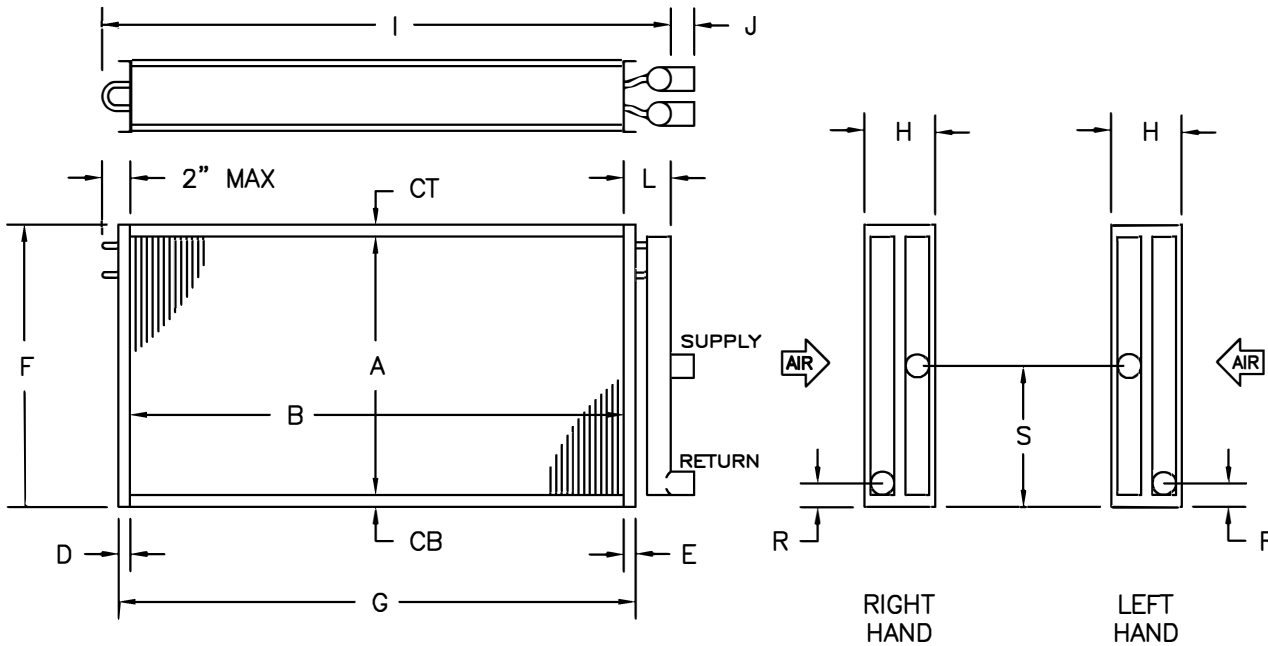
ROWS:
1, 2 ONLY

FINS:
5/8 - 6 thru 14

TUBE WALL	FINS	CASING
5/8 OD	5/8 OD	
.025	.008AL	16ga GV 16ga SS
.035	.010AL	
.049	.006CU	
	.008CU .010CU	

HEADERS & TUBES - COPPER ONLY

ITEM	SUPPLY	RETURN	CONNECTIONS	
1			RED BRASS	COPPER
2			MPT	MPT
3				FPT
4				SWT



DIMENSIONAL DATA IN INCHES

	QTY	ROWS	FPI	A	B	CT	CB	D	E	F	G	H	I	J	L	S	R
1																	
2																	
3																	
4																	

MODEL NO.				CUST.				TAG:			
1				REP.				PURCHASE ORDER NO.			
2				APP	PRINTS	DATE		SHOP ORDER NO.			
3				FOR APPROVAL		DRAWING NO.		STANDARD STM			
4				FOR RECORD		SS1-					